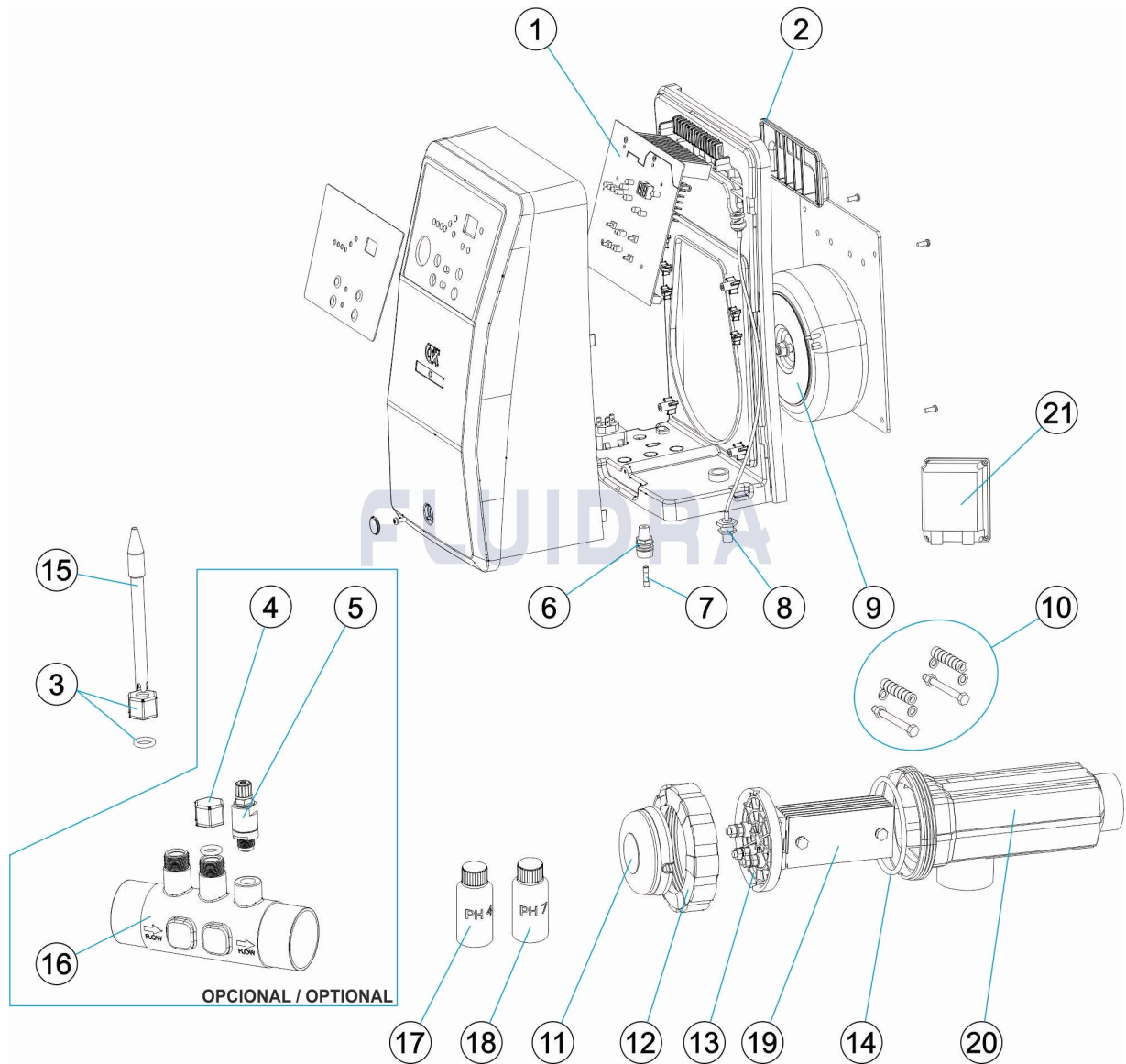


CODIGO 70277, 70278, 70287, 70288, 70289, 70299, 70302, 70308, 70309, 70311

DESCRIPCION: GO SALT



ESPAÑOL

POS	CODIGO	DESCRIPCION	CANTIDAD	POS	CODIGO	DESCRIPCION	CANTIDAD
1	*CE08040260	TARJETA POTENCIA GS-7		5	*CE08040068	VALVULA INYECCION PH-MINUS 3/8"	
1	*CE08040307	TARJETA POTENCIA GS-7PH		6	CE08040523	PORTAFUSIBLE 5X20 CHASIS	
1	*CE08040261	TARJETA POTENCIA GS-12		7	*CE08041112	FUSIBLE 1A	
1	*CE08040308	TARJETA POTENCIA GS-12PH		7	*CE08041113	FUSIBLE 2A	
1	*CE08040262	TARJETA POTENCIA GS-21		7	*CE08041114	FUSIBLE 3A	
1	*CE08040311	TARJETA POTENCIA GS-21PH		7	*CE08041204	FUSIBLE 4A	
1	*CE08040263	TARJETA POTENCIA GS-30		8	*CE08070069	CONECTOR BNC	
1	*CE08040312	TARJETA POTENCIA GS-30PH		9	*CE08040265	TRANSFORMADOR 110VA	
1	*CE08040264	TARJETA POTENCIA GS-40		9	*CE08040266	TRANSFORMADOR 190VA	
1	*CE08040322	TARJETA POTENCIA GS-40PH		9	*CE08040267	TRANSFORMADOR 230VA	
2	CE08041101	SOPORTE PARED CONTROLADOR		9	*CE08040269	TRANSFORMADOR 440VA	
3	*CE08040604	PORTAELECTRODOS PE 12M/M-1/2"		10	*CE08040073	KIT ANCLAJE ELECTRODOS DOMESTICO	
3	*CE08040444	PORTASONDAS		11	CE08040270	PROTECTOR CONTACTOS GO SALT	

CODIGO **70277, 70278, 70287, 70288, 70289, 70299, 70302, 70308, 70309, 70311**

DESCRIPCION: **GO SALT**

4	* CE08040067	TAPON Sonda PH/ORP PORTASONDA	12	CE08040271	ANILLO ROSCADO CELULA
4	* CE08060121	TAPON NEGRO OBTURADOR + JUNTA	13	* CE08040076	SOPORTE ELECTRODO ABIERTO TC
13	* CE08040272	SOPORTE ELECTRODO BIP	19	* 70326	RECAMBIO ELECTRODO
14	CE08040510	JUNTA VASO EPDM.	19	* 70327	RECAMBIO ELECTRODO
15	* 60648	ELECTRODO COMBINADO PH	19	* 70328	RECAMBIO ELECTRODO
16	* 70968	PORTASONDAS	19	* 70329	RECAMBIO ELECTRODO
16	* 74493	PORTASONDAS	19	* 70330	RECAMBIO ELECTRODO
17	* 60632	TAMPON PH 4,0 50 ML. (ROJO)	20	57655	CELULA PORTA ELECTRODOS
18	* 60618	TAMPON PH 7,0 50 M/L. (VERDE)	21	* 70054	BOMBA PERISTALTICA 1,5-1,5 230V

CODIGO **70277, 70278, 70287, 70288, 70289, 70299, 70302, 70308, 70309, 70311**

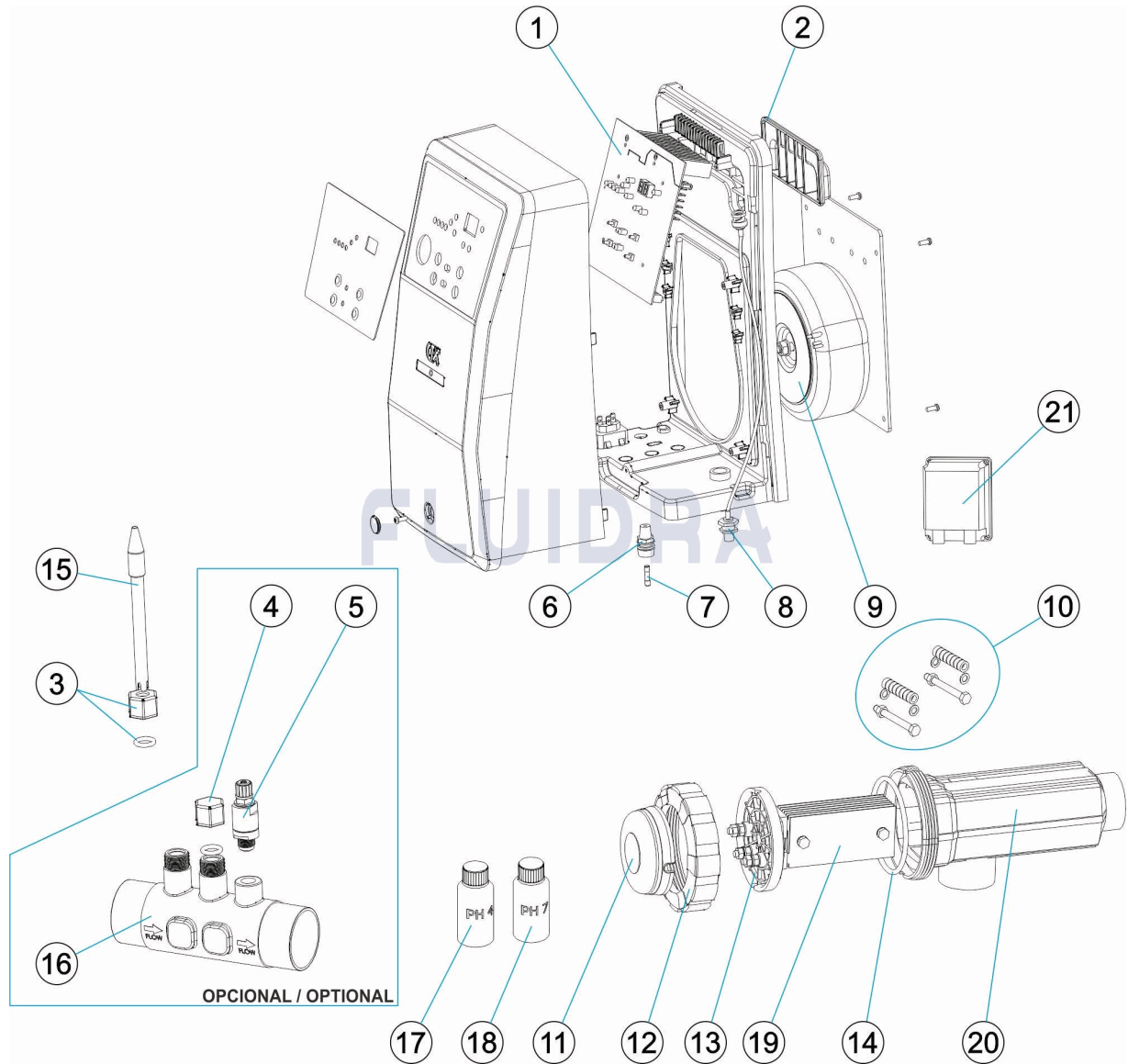
DESCRIPCION: **GO SALT**

OBSERVACIONES

POS	CODIGO	OBSERVACIONES
1	*CE08040260	PARA: 70309
1	*CE08040307	PARA: 70311
1	*CE08040261	PARA: 70277
1	*CE08040308	PARA: 70278
1	*CE08040262	PARA: 70287
1	*CE08040311	PARA: 70288
1	*CE08040263	PARA: 70289
1	*CE08040312	PARA: 70299
1	*CE08040264	PARA: 70302
1	*CE08040322	PARA: 70308
3	*CE08040604	PARA: 70278, 70288, 70299, 70308, 70311 70968
3	*CE08040444	PARA: 70278, 70288, 70299, 70308, 70311 74493
4	*CE08040067	PARA: 70311, 70278, 70288, 70299, 70308 70968
4	*CE08060121	PARA: 70278, 70288, 70299, 70308, 70311 74493
5	*CE08040068	PARA: 70311, 70278, 70288, 70299, 70308
7	*CE08041112	PARA: 70309, 70311
7	*CE08041113	PARA: 70277, 70278
7	*CE08041114	PARA: 70289, 70299
7	*CE08041204	PARA: 70302, 70308
8	*CE08070069	PARA: 70311, 70278, 70288, 70299, 70308
9	*CE08040265	PARA: 70309, 70311
9	*CE08040266	PARA: 70277, 70278
9	*CE08040267	PARA: 70287, 70299
9	*CE08040269	PARA: 70302, 70308
10	*CE08040073	PARA: 70309, 70277, 70311, 70278
13	*CE08040076	PARA: 70309, 70277, 70311, 70278
13	*CE08040272	PARA: 70287, 70289, 70302, 70288, 70299, 70308
15	*60648	PARA: 70311, 70278, 70288, 70299, 70308
16	*70968	PARA: 70311, 70278, 70288, 70299, 70308
16	*74493	PARA: 70278, 70288, 70299, 70308, 70311
17	*60632	PARA: 70311, 70278, 70288, 70299, 70308
18	*60618	PARA: 70311, 70278, 70288, 70299, 70308
19	*70326	PARA: 70309, 70311
19	*70327	PARA: 70277, 70278
19	*70328	PARA: 70287, 70288
19	*70329	PARA: 70289, 70299
19	*70330	PARA: 70302, 70308
21	*70054	PARA: 70288, 70299, 70308, 70311

CODE 70277, 70278, 70287, 70288, 70289, 70299, 70302, 70308, 70309, 70311

DESCRIPTION: GO SALT



FRANCAIS

POS	CODE	DESCRIPTION	QUANTITE	POS	CODE	DESCRIPTION	QUANTITE
1	* CE08040260	CARTE PUISSANCE GS-7		5	* CE08040068	VANNE INJECTION PH-MINUS 3/8"	
1	* CE08040307	CARTE PUISSANCE GS-7PH		6	CE08040523	PORTE-FUSIBLES 5X20 CHASSIS	
1	* CE08040261	CARTE PUISSANCE GS-12		7	* CE08041112	FUSIBLE 1A	
1	* CE08040308	CARTE PUISSANCE GS-12PH		7	* CE08041113	FUSIBLE 2A	
1	* CE08040262	CARTE PUISSANCE GS-21		7	* CE08041114	FUSIBLE 3A	
1	* CE08040311	CARTE PUISSANCE GS-21PH		7	* CE08041204	FUSIBLE 4A	
1	* CE08040263	CARTE PUISSANCE GS-30		8	* CE08070069	CONNECTEUR BNC	
1	* CE08040312	CARTE PUISSANCE GS-30PH		9	* CE08040265	TRANSFORMATEUR PUISSANCE 110VA	
1	* CE08040264	CARTE PUISSANCE GS-40		9	* CE08040266	TRANSFORMATEUR PUISSANCE 190VA	
1	* CE08040322	CARTE PUISSANCE GS-40PH		9	* CE08040267	TRANSFORMATEUR PUISSANCE 230VA	
2	CE08041101	BASE PAROI CONTRÔLEUR		9	* CE08040269	TRANSFORMATEUR PUISSANCE 440VA	
3	* CE08040604	PORTE-ÉLECTRODE PE 12M/M. 1/2"		10	* CE08040073	KIT ANCRAGE ÉLECTRODES KIT	
3	* CE08040444	PORTE-SONDES		11	CE08040270	PROTECTEUR CONTACTS GO SALT	

CODE **70277, 70278, 70287, 70288, 70289, 70299, 70302, 70308, 70309, 70311**

DESCRIPTION: **GO SALT**

4	* CE08040067	BOUCHON M-25 H	12	CE08040271	ANNEAU FILETÉ CELLULE
4	* CE08060121	COUVERCLE NOIR DE FERMENTURE + JO	13	* CE08040076	ÉLECTRODES DE RECHANGE SUPPORT O
13	* CE08040272	ÉLECTRODES DE RECHANGE SUPPORT B	19	* 70326	RECHANGE ÉLECTRODE
14	CE08040510	JOINT VASE EPDM	19	* 70327	RECHANGE ÉLECTRODE
15	* 60648	ELECTRODE COMBINÉE PH	19	* 70328	RECHANGE ÉLECTRODE
16	* 70968	PORTE-SONDES	19	* 70329	RECHANGE ÉLECTRODE
16	* 74493	PORTE-SONDES	19	* 70330	RECHANGE ÉLECTRODE
17	* 60632	TAMPON PH 4,0 50 ML. (ROUGE)	20	57655	CELLULE PORTE-ÉLECTRODE
18	* 60618	TAMPON PH 7,0 50 M/L. (VERT)	21	* 70054	POMPE PÉRISTALTIQUE 1,5-1,5 230V

CODE **70277, 70278, 70287, 70288, 70289, 70299, 70302, 70308, 70309, 70311**

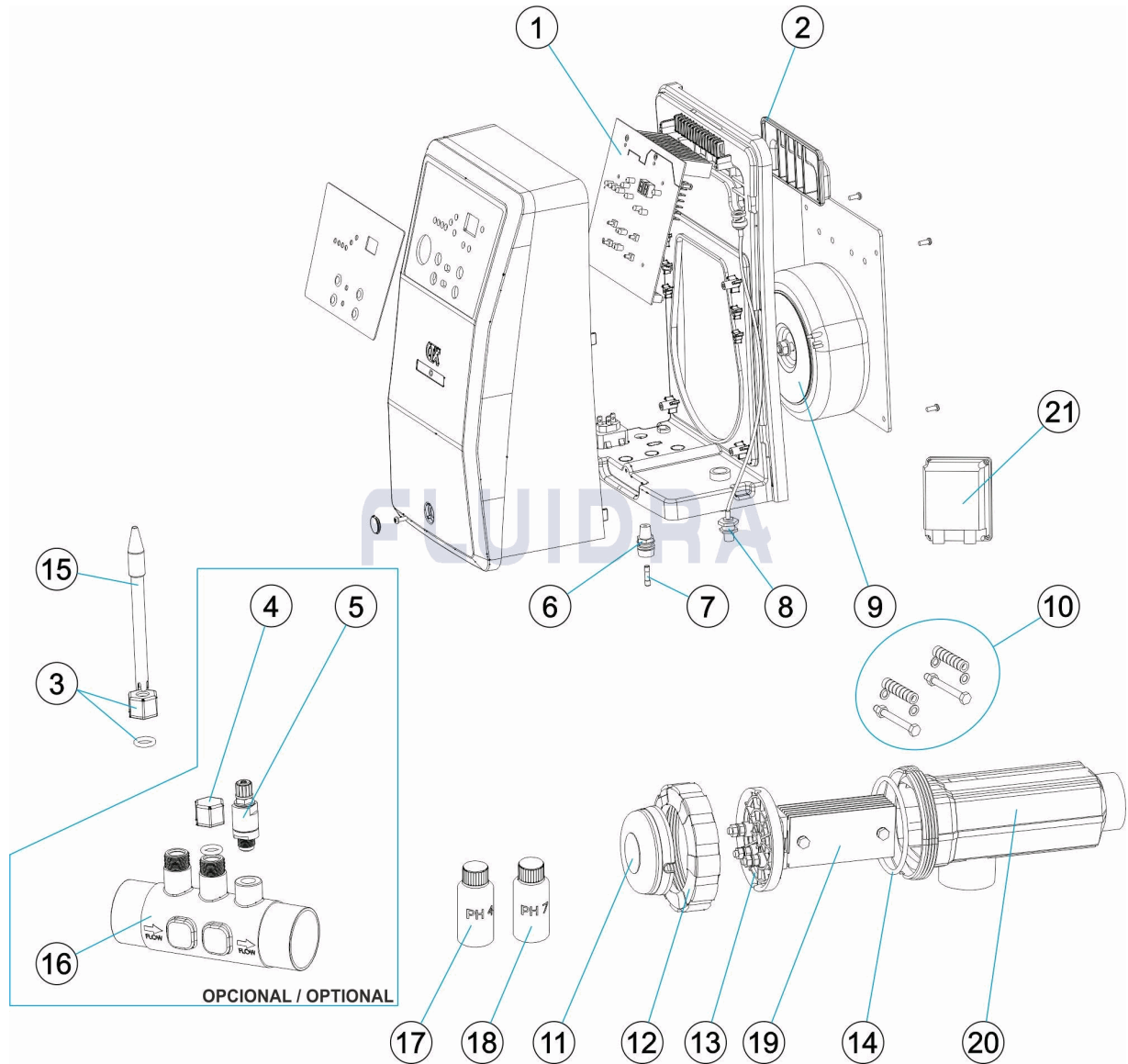
DESCRIPTION: **GO SALT**

OBSERVATIONS

POS	CODE	OBSERVATIONS
1	*CE08040260	POUR: 70309
1	*CE08040307	POUR: 70311
1	*CE08040261	POUR: 70277
1	*CE08040308	POUR: 70278
1	*CE08040262	POUR: 70287
1	*CE08040311	POUR: 70288
1	*CE08040263	POUR: 70289
1	*CE08040312	POUR: 70299
1	*CE08040264	POUR: 70302
1	*CE08040322	POUR: 70308
3	*CE08040604	POUR: 70278, 70288, 70299, 70308, 70311 70968
3	*CE08040444	POUR: 70278, 70288, 70299, 70308, 70311 74493
4	*CE08040067	POUR: 70311, 70278, 70288, 70299, 70308 70968
4	*CE08060121	POUR: 70278, 70288, 70299, 70308, 70311 74493
5	*CE08040068	POUR: 70311, 70278, 70288, 70299, 70308
7	*CE08041112	POUR: 70309, 70311
7	*CE08041113	POUR: 70277, 70278
7	*CE08041114	POUR: 70289, 70299
7	*CE08041204	POUR: 70302, 70308
8	*CE08070069	POUR: 70311, 70278, 70288, 70299, 70308
9	*CE08040265	POUR: 70309, 70311
9	*CE08040266	POUR: 70277, 70278
9	*CE08040267	POUR: 70287, 70299
9	*CE08040269	POUR: 70302, 70308
10	*CE08040073	POUR: 70309, 70277, 70311, 70278
13	*CE08040076	POUR: 70309, 70277, 70311, 70278
13	*CE08040272	POUR: 70287, 70289, 70302, 70288, 70299, 70308
15	*60648	POUR: 70311, 70278, 70288, 70299, 70308
16	*70968	POUR: 70311, 70278, 70288, 70299, 70308
16	*74493	POUR: 70278, 70288, 70299, 70308, 70311
17	*60632	POUR: 70311, 70278, 70288, 70299, 70308
18	*60618	POUR: 70311, 70278, 70288, 70299, 70308
19	*70326	POUR: 70309, 70311
19	*70327	POUR: 70277, 70278
19	*70328	POUR: 70287, 70288
19	*70329	POUR: 70289, 70299
19	*70330	POUR: 70302, 70308
21	*70054	POUR: 70288, 70299, 70308, 70311

CODE 70277, 70278, 70287, 70288, 70289, 70299, 70302, 70308, 70309, 70311

DESCRIPTION: GO SALT



ENGLISH

POS	CODE	DESCRIPTION	QUANTITY	POS	CODE	DESCRIPTION	QUANTITY
1	* CE08040260	POWER CARD GS-7		5	* CE08040068	PH-MINUS INJECTION VALVE 3/8"	
1	* CE08040307	POWER CARD GS-7PH		6	CE08040523	FUSE HOLDER 5X20	
1	* CE08040261	POWER CARD GS-12		7	* CE08041112	FUSE 1A	
1	* CE08040308	POWER CARD GS-12PH		7	* CE08041113	FUSE 2A	
1	* CE08040262	POWER CARD GS-21		7	* CE08041114	FUSE 3A	
1	* CE08040311	POWER CARD GS-21PH		7	* CE08041204	FUSE 4A	
1	* CE08040263	POWER CARD GS-30		8	* CE08070069	BNC CONNECTOR	
1	* CE08040312	POWER CARD GS-30PH		9	* CE08040265	POWER TRANSFORMER 110 VA	
1	* CE08040264	POWER CARD GS-40		9	* CE08040266	POWER TRANSFORMER 190 VA	
1	* CE08040322	POWER CARD GS-40PH		9	* CE08040267	POWER TRANSFORMER 230 VA	
2	CE08041101	CONTROLLER WALL BASE		9	* CE08040269	POWER TRANSFORMER 440 VA	
3	* CE08040604	ELECTRODE CARRIER PE 12M/M.-1/2"		10	* CE08040073	ELECTRODE FIXING KIT	
3	* CE08040444	SENSOR HOLDER		11	CE08040270	CONTACT PROTECTION GO SALT	

CODE **70277, 70278, 70287, 70288, 70289, 70299, 70302, 70308, 70309, 70311**

DESCRIPTION: **GO SALT**

4	* CE08040067	PLUG M-25 H	12	CE08040271	CELL THREADED RING
4	* CE08060121	BLACK OBTURATING PLUG + GASKET	13	* CE08040076	TC ELECTRODE HOLDER
13	* CE08040272	BIP ELECTRODE HOLDER	19	* 70326	ELECTRODE SPARE
14	CE08040510	CELL EPDM GASKET	19	* 70327	ELECTRODE SPARE
15	* 60648	ELECTRODE PH	19	* 70328	ELECTRODE SPARE
16	* 70968	SENSOR HOLDER	19	* 70329	ELECTRODE SPARE
16	* 74493	SENSOR HOLDER	19	* 70330	ELECTRODE SPARE
17	* 60632	CALIBRATION SOLUTION PH 4,0 50 ML. (RE	20	57655	ELECTRODE CELL
18	* 60618	CALIBRATION SOLUTION PH 7,0 50 M/L. (G	21	* 70054	PERISTALTIC PUMP 1,5-1,5 230V

CODE **70277, 70278, 70287, 70288, 70289, 70299, 70302, 70308, 70309, 70311**

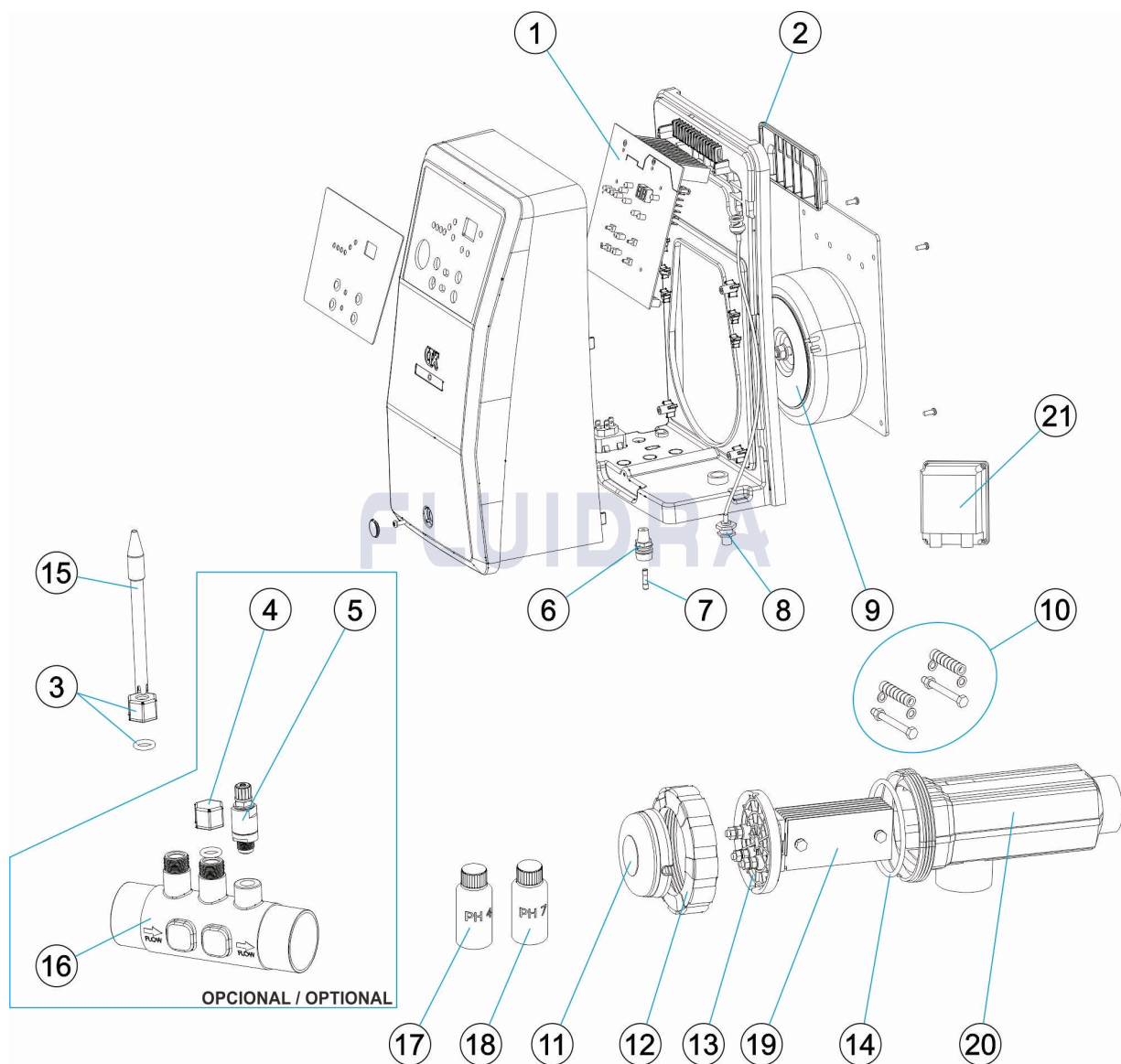
DESCRIPTION: **GO SALT**

OBSERVATIONS

POS	CODE	OBSERVATIONS
1	*CE08040260	FOR: 70309
1	*CE08040307	FOR: 70311
1	*CE08040261	FOR: 70277
1	*CE08040308	FOR: 70278
1	*CE08040262	FOR: 70287
1	*CE08040311	FOR: 70288
1	*CE08040263	FOR: 70289
1	*CE08040312	FOR: 70299
1	*CE08040264	FOR: 70302
1	*CE08040322	FOR: 70308
3	*CE08040604	FOR: 70278, 70288, 70299, 70308, 70311 70968
3	*CE08040444	FOR: 70278, 70288, 70299, 70308, 70311 74493
4	*CE08040067	FOR: 70311, 70278, 70288, 70299, 70308 70968
4	*CE08060121	FOR: 70278, 70288, 70299, 70308, 70311 74493
5	*CE08040068	FOR: 70311, 70278, 70288, 70299, 70308
7	*CE08041112	FOR: 70309, 70311
7	*CE08041113	FOR: 70277, 70278
7	*CE08041114	FOR: 70289, 70299
7	*CE08041204	FOR: 70302, 70308
8	*CE08070069	FOR: 70311, 70278, 70288, 70299, 70308
9	*CE08040265	FOR: 70309, 70311
9	*CE08040266	FOR: 70277, 70278
9	*CE08040267	FOR: 70287, 70299
9	*CE08040269	FOR: 70302, 70308
10	*CE08040073	FOR: 70309, 70277, 70311, 70278
13	*CE08040076	FOR: 70309, 70277, 70311, 70278
13	*CE08040272	FOR: 70287, 70289, 70302, 70288, 70299, 70308
15	*60648	FOR: 70311, 70278, 70288, 70299, 70308
16	*70968	FOR: 70311, 70278, 70288, 70299, 70308
16	*74493	FOR: 70278, 70288, 70299, 70308, 70311
17	*60632	FOR: 70311, 70278, 70288, 70299, 70308
18	*60618	FOR: 70311, 70278, 70288, 70299, 70308
19	*70326	FOR: 70309, 70311
19	*70327	FOR: 70277, 70278
19	*70328	FOR: 70287, 70288
19	*70329	FOR: 70289, 70299
19	*70330	FOR: 70302, 70308
21	*70054	FOR: 70288, 70299, 70308, 70311

CODICE 70277, 70278, 70287, 70288, 70289, 70299, 70302, 70308, 70309, 70311

DESCRIZIONE: GO SALT



ITALIANO

POS	CODICE	DESCRIZIONE	QUANTITA'	POS	CODICE	DESCRIZIONE	QUANTITA'
1	*CE08040260	CARTA POTENZA GS-7		5	*CE08040068	VALVOLA INIEZIONE PH-MINUS 3/8"	
1	*CE08040307	CARTA POTENZA GS-7PH		6	CE08040523	PORTAFUSIBILI 5X20 CORPO	
1	*CE08040261	CARTA POTENZA GS-12		7	*CE08041112	FUSIVILE 1A	
1	*CE08040308	CARTA POTENZA GS-12PH		7	*CE08041113	FUSIVILE 2A	
1	*CE08040262	CARTA POTENZA GS-21		7	*CE08041114	FUSIVILE 3A	
1	*CE08040311	CARTA POTENZA GS-21PH		7	*CE08041204	FUSIVILE 4A	
1	*CE08040263	CARTA POTENZA GS-30		8	*CE08070069	CONNETTORE BNC	
1	*CE08040312	CARTA POTENZA GS-30PH		9	*CE08040265	TRANSFORMATORE POTENZA 110 VA	
1	*CE08040264	CARTA POTENZA GS-40		9	*CE08040266	TRANSFORMATORE POTENZA 190 VA	
1	*CE08040322	CARTA POTENZA GS-40PH		9	*CE08040267	TRANSFORMATORE POTENZA 230 VA	
2	CE08041101	BASE PARETE CONTROLLATORE		9	*CE08040269	TRANSFORMATORE POTENZA 440 VA	
3	*CE08040604	PORTAELETTODO PE 12M/M. X 1/2"		10	*CE08040073	ELETTRODI KIT ANCORAGGIO	
3	*CE08040444	PORTA-SONDE		11	CE08040270	PROTECTORE CONTATTI GO SALT	

CODICE **70277, 70278, 70287, 70288, 70289, 70299, 70302, 70308, 70309, 70311**

DESCRIZIONE: **GO SALT**

4	* CE08040067	TAPPO M-25 H	12	CE08040271	ANELLO FILETTATO CELLA
4	* CE08060121	TAPPO NERO PICCOLO + GUARNIZIONE	13	* CE08040076	ELETTRODI DI RICAMBIO RICHIESTA SOST
13	* CE08040272	ELETTRODI DI RICAMBIO SOSTEGNO BIP	19	* 70326	RECAMBIO ELETTRODO
14	CE08040510	GUARNIZIONE COPERCHIO CELLA	19	* 70327	RECAMBIO ELETTRODO
15	* 60648	ELETTRODO COMBINATO PH	19	* 70328	RECAMBIO ELETTRODO
16	* 70968	PORTA-SONDE	19	* 70329	RECAMBIO ELETTRODO
16	* 74493	PORTA-SONDE	19	* 70330	RECAMBIO ELETTRODO
17	* 60632	SOLUCIONE TAMPONE PH 4,0 50 ML. (ROS)	20	57655	CELLA PORTAELETTRODI
18	* 60618	SOLUCIONE TAMPONE PH 7,0 50 M/L. (VEF)	21	* 70054	POMPA PERISTALTICA 1,5-1,5 230V

CODICE **70277, 70278, 70287, 70288, 70289, 70299, 70302, 70308, 70309, 70311**

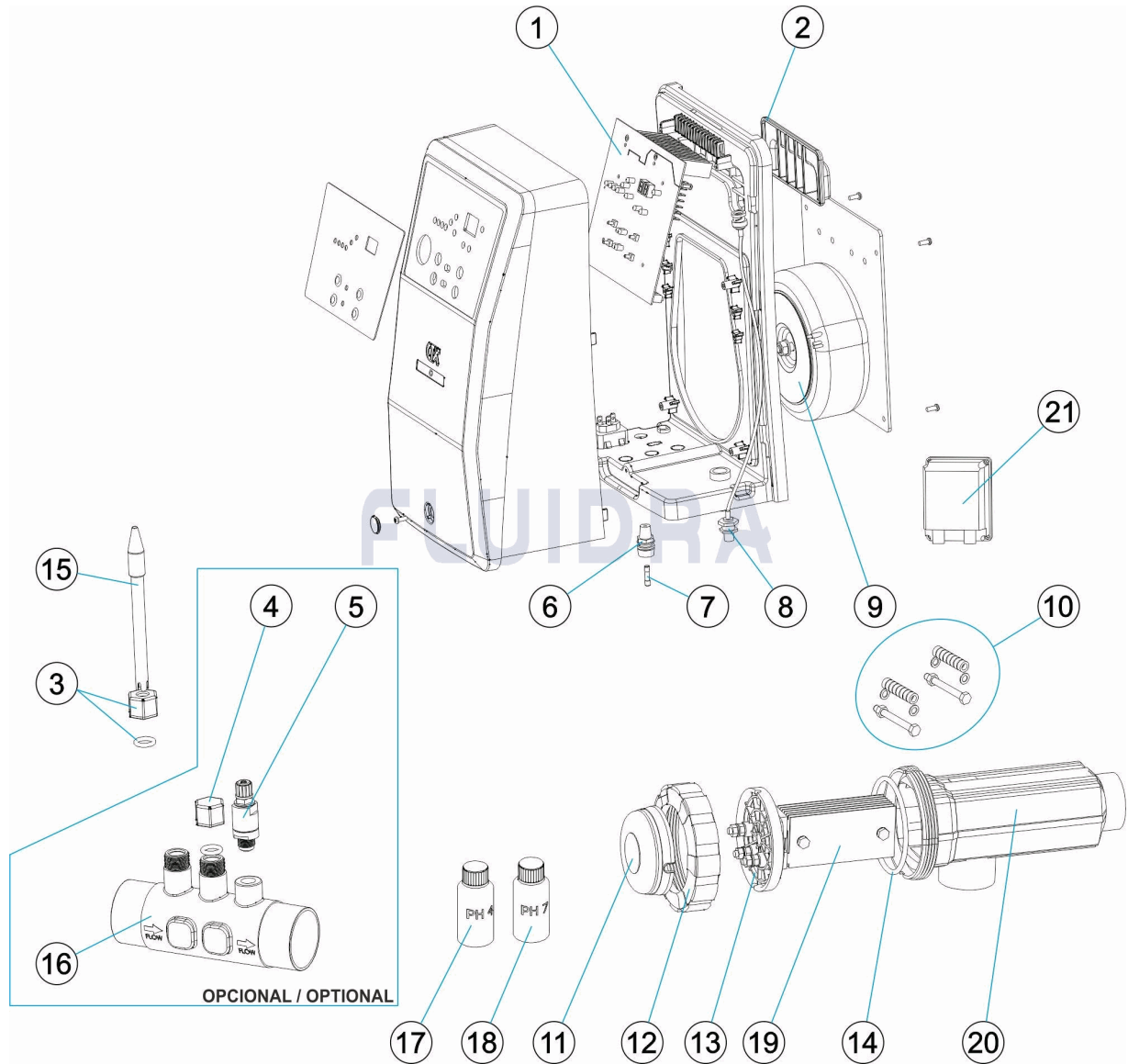
DESCRIZIONE: **GO SALT**

OSSERVAZIONI

POS	CODICE	OSSERVAZIONI
1	*CE08040260	PER: 70309
1	*CE08040307	PER: 70311
1	*CE08040261	PER: 70277
1	*CE08040308	PER: 70278
1	*CE08040262	PER: 70287
1	*CE08040311	PER: 70288
1	*CE08040263	PER: 70289
1	*CE08040312	PER: 70299
1	*CE08040264	PER: 70302
1	*CE08040322	PER: 70308
3	*CE08040604	PER: 70278, 70288, 70299, 70308, 70311 70968
3	*CE08040444	PER: 70278, 70288, 70299, 70308, 70311 74493
4	*CE08040067	PER: 70311, 70278, 70288, 70299, 70308 70968
4	*CE08060121	PER: 70278, 70288, 70299, 70308, 70311 74493
5	*CE08040068	PER: 70311, 70278, 70288, 70299, 70308
7	*CE08041112	PER: 70309, 70311
7	*CE08041113	PER: 70277, 70278
7	*CE08041114	PER: 70289, 70299
7	*CE08041204	PER: 70302, 70308
8	*CE08070069	PER: 70311, 70278, 70288, 70299, 70308
9	*CE08040265	PER: 70309, 70311
9	*CE08040266	PER: 70277, 70278
9	*CE08040267	PER: 70287, 70299
9	*CE08040269	PER: 70302, 70308
10	*CE08040073	PER: 70309, 70277, 70311, 70278
13	*CE08040076	PER: 70309, 70277, 70311, 70278
13	*CE08040272	PER: 70287, 70289, 70302, 70288, 70299, 70308
15	*60648	PER: 70311, 70278, 70288, 70299, 70308
16	*70968	PER: 70311, 70278, 70288, 70299, 70308
16	*74493	PER: 70278, 70288, 70299, 70308, 70311
17	*60632	PER: 70311, 70278, 70288, 70299, 70308
18	*60618	PER: 70311, 70278, 70288, 70299, 70308
19	*70326	PER: 70309, 70311
19	*70327	PER: 70277, 70278
19	*70328	PER: 70287, 70288
19	*70329	PER: 70289, 70299
19	*70330	PER: 70302, 70308
21	*70054	PER: 70288, 70299, 70308, 70311

CODE 70277, 70278, 70287, 70288, 70289, 70299, 70302, 70308, 70309, 70311

BESCHREIBUNG: GO SALT



DEUTSCH

POS	CODE	BESCHREIBUNG	MENGE	POS	CODE	BESCHREIBUNG	MENGE
1	* CE08040260	LEISTUNGSPLATINE GS-7		5	* CE08040068	INJEKTORVENTIL PH-MINUS 3/8"	
1	* CE08040307	LEISTUNGSPLATINE GS-7PH		6	CE08040523	SICHERUNGSSITZ 5 X 20 RAHMEN	
1	* CE08040261	LEISTUNGSPLATINE GS-12		7	* CE08041112	SICHERUNG 1 A	
1	* CE08040308	LEISTUNGSPLATINE GS-12PH		7	* CE08041113	SICHERUNG 2 A	
1	* CE08040262	LEISTUNGSPLATINE GS-21		7	* CE08041114	SICHERUNG 3 A	
1	* CE08040311	LEISTUNGSPLATINE GS-21PH		7	* CE08041204	SICHERUNG 4 A	
1	* CE08040263	LEISTUNGSPLATINE GS-30		8	* CE08070069	STECKKUPPLUNG BNC	
1	* CE08040312	LEISTUNGSPLATINE GS-30PH		9	* CE08040265	TRAFO 110 VA	
1	* CE08040264	LEISTUNGSPLATINE GS-40		9	* CE08040266	TRAFO 190 VA	
1	* CE08040322	LEISTUNGSPLATINE GS-40PH		9	* CE08040267	TRAFO 230 VA	
2	CE08041101	WANDHALTERUNG STEUERUNG		9	* CE08040269	TRAFO 440 VA	
3	* CE08040604	ELEKTRODENSITZ PE 12 MM-1/2"		10	* CE08040073	KIT VERANKERUNG ELEKTRODEN	
3	* CE08040444	SONDENHALTERUNG		11	CE08040270	KONTAKTSCHUTZ GO SALT	

CODE **70277, 70278, 70287, 70288, 70289, 70299, 70302, 70308, 70309, 70311**

BESCHREIBUNG: **GO SALT**

4	* CE08040067	STOPFEN PH/OPR-SONDE SONDENHALTE	12	CE08040271	GEWINDERING ZELLE
4	* CE08060121	STOPFEN SCHWARZ VERSCHLUSS UND C	13	* CE08040076	HALTERUNG ELEKTRODE OFFEN TC
13	* CE08040272	HALTERUNG ELEKTRODE BIP	19	* 70326	ERSATZTEIL ELEKTRODE
14	CE08040510	DICHTUNG GEHÄUSE EPDM	19	* 70327	ERSATZTEIL ELEKTRODE
15	* 60648	ELEKTRODE KOMBINIERT PH	19	* 70328	ERSATZTEIL ELEKTRODE
16	* 70968	SONDENHALTERUNG	19	* 70329	ERSATZTEIL ELEKTRODE
16	* 74493	SONDENHALTERUNG	19	* 70330	ERSATZTEIL ELEKTRODE
17	* 60632	PUFFER PH 4,0 50 ML (ROT)	20	57655	ELEKTRODENZELLE
18	* 60618	PUFFER PH 7,0 50 M/L (GRÜN)	21	* 70054	PERISTALTIKPUMPE P1,5-1,5 230V

CODE **70277, 70278, 70287, 70288, 70289, 70299, 70302, 70308, 70309, 70311**

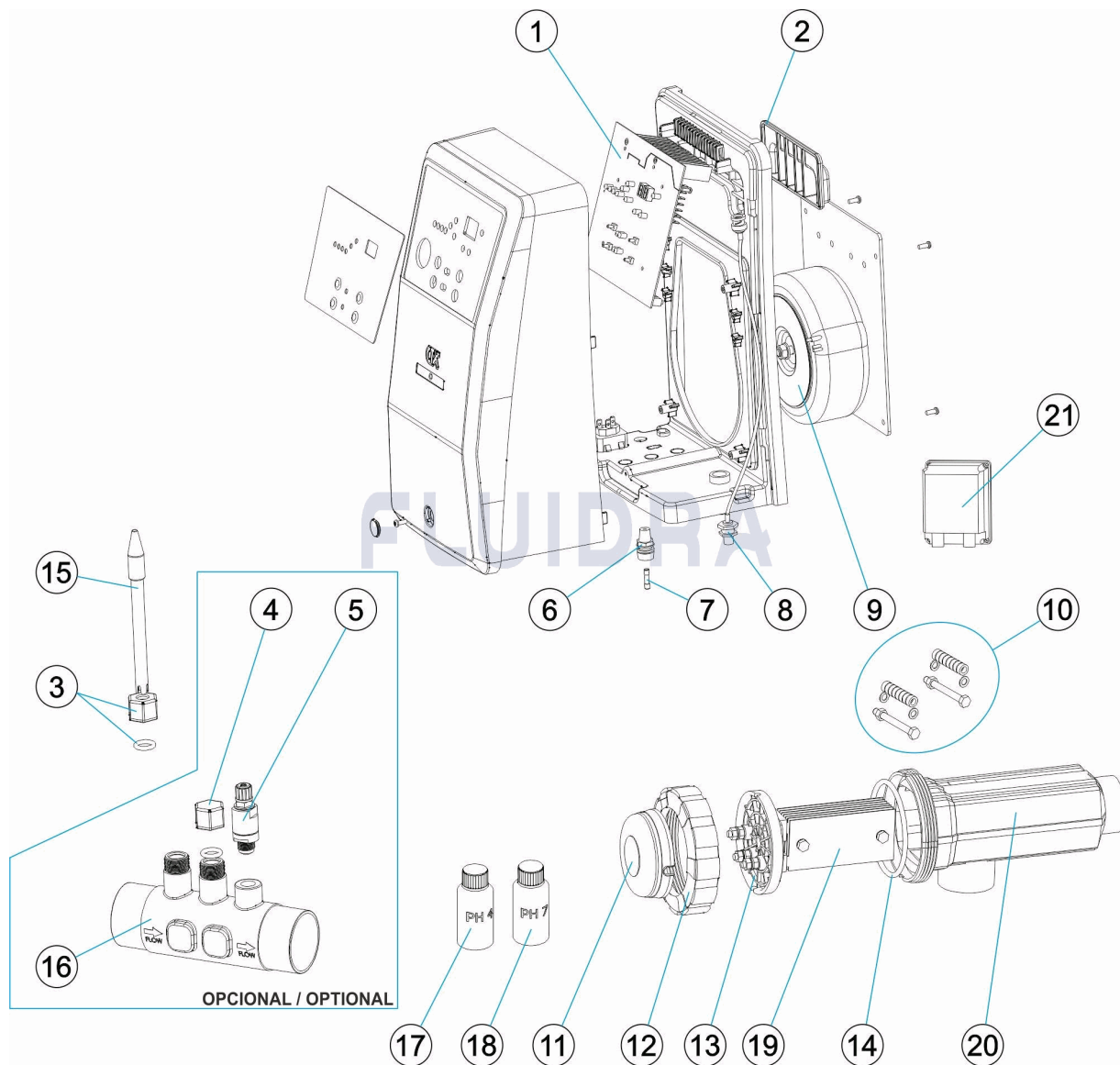
BESCHREIBUNG: **GO SALT**

HINWEISE

POS	CODE	HINWEISE
1	*CE08040260	FÜR: 70309
1	*CE08040307	FÜR: 70311
1	*CE08040261	FÜR: 70277
1	*CE08040308	FÜR: 70278
1	*CE08040262	FÜR: 70287
1	*CE08040311	FÜR: 70288
1	*CE08040263	FÜR: 70289
1	*CE08040312	FÜR: 70299
1	*CE08040264	FÜR: 70302
1	*CE08040322	FÜR: 70308
3	*CE08040604	FÜR: 70278, 70288, 70299, 70308, 70311 70968
3	*CE08040444	FÜR: 70278, 70288, 70299, 70308, 70311 74493
4	*CE08040067	FÜR: 70311, 70278, 70288, 70299, 70308 70968
4	*CE08060121	FÜR: 70278, 70288, 70299, 70308, 70311 74493
5	*CE08040068	FÜR: 70311, 70278, 70288, 70299, 70308
7	*CE08041112	FÜR: 70309, 70311
7	*CE08041113	FÜR: 70277, 70278
7	*CE08041114	FÜR: 70289, 70299
7	*CE08041204	FÜR: 70302, 70308
8	*CE08070069	FÜR: 70311, 70278, 70288, 70299, 70308
9	*CE08040265	FÜR: 70309, 70311
9	*CE08040266	FÜR: 70277, 70278
9	*CE08040267	FÜR: 70287, 70299
9	*CE08040269	FÜR: 70302, 70308
10	*CE08040073	FÜR: 70309, 70277, 70311, 70278
13	*CE08040076	FÜR: 70309, 70277, 70311, 70278
13	*CE08040272	FÜR: 70287, 70289, 70302, 70288, 70299, 70308
15	*60648	FÜR: 70311, 70278, 70288, 70299, 70308
16	*70968	FÜR: 70311, 70278, 70288, 70299, 70308
16	*74493	FÜR: 70278, 70288, 70299, 70308, 70311
17	*60632	FÜR: 70311, 70278, 70288, 70299, 70308
18	*60618	FÜR: 70311, 70278, 70288, 70299, 70308
19	*70326	FÜR: 70309, 70311
19	*70327	FÜR: 70277, 70278
19	*70328	FÜR: 70287, 70288
19	*70329	FÜR: 70289, 70299
19	*70330	FÜR: 70302, 70308
21	*70054	FÜR: 70288, 70299, 70308, 70311

CODIGO 70277, 70278, 70287, 70288, 70289, 70299, 70302, 70308, 70309, 70311

DESCRIÇÃO: GO SALT



PORTUGUES

POS	CODIGO	DESCRIÇÃO	JANTIDADE	POS	CODIGO	DESCRIÇÃO	JANTIDADE
1	* CE08040260	TARJETA POTÊNCIA GS-7		5	* CE08040068	VALVOLA INJEÇÃO PH-MINUS 3/8"	
1	* CE08040307	TARJETA POTÊNCIA GS-7PH		6	CE08040523	PORTAFUSIVEIS 5X20 CHASIS	
1	* CE08040261	TARJETA POTÊNCIA GS-12		7	* CE08041112	FUSIVEL 1A	
1	* CE08040308	TARJETA POTÊNCIA GS-12PH		7	* CE08041113	FUSIVEL 2A	
1	* CE08040262	TARJETA POTÊNCIA GS-21		7	* CE08041114	FUSIVEL 3A	
1	* CE08040311	TARJETA POTÊNCIA GS-21PH		7	* CE08041204	FUSIVEL 4A	
1	* CE08040263	TARJETA POTÊNCIA GS-30		8	* CE08070069	LIGAÇÃO BNC	
1	* CE08040312	TARJETA POTÊNCIA GS-30PH		9	* CE08040265	TRANSFORMADOR POTÊNCIA 110VA	
1	* CE08040264	TARJETA POTÊNCIA GS-40		9	* CE08040266	TRANSFORMADOR POTÊNCIA 190VA	
1	* CE08040322	TARJETA POTÊNCIA GS-40PH		9	* CE08040267	TRANSFORMADOR POTÊNCIA 230VA	
2	CE08041101	BASE PAREDE CONTROLADOR		9	* CE08040269	TRANSFORMADOR POTÊNCIA 440VA	
3	* CE08040604	PORTAELECTRODOS PE 12M/M-1/2"		10	* CE08040073	KIT ÂNCORA ELETRODOS KIT	
3	* CE08040444	PORTA-SONDAS		11	CE08040270	PROTECTOR CONTACTOS GO SALT	

* VEJA A FICHA DE OBSERVAÇÕES

CODIGO **70277, 70278, 70287, 70288, 70289, 70299, 70302, 70308, 70309, 70311**

DESCRIÇÃO: **GO SALT**

4	* CE08040067	TAMPÃO M-25 H	12	CE08040271	ANEL ROSQUEADO CÉLULA
4	* CE08060121	TAMPÃO PRETO OBTURADOR + JUNTA	13	* CE08040076	ELETRODOS DE REPOSIÇÃO APOIO ABER
13	* CE08040272	ELETRODOS DE REPOSIÇÃO APOIO BIP	19	* 70326	SOBRESSALENTE ELÉCTRODO
14	CE08040510	JUNTA EPDM COPO	19	* 70327	SOBRESSALENTE ELÉCTRODO
15	* 60648	ELECTRODO COMBINADO PH	19	* 70328	SOBRESSALENTE ELÉCTRODO
16	* 70968	PORTA-SONDAS	19	* 70329	SOBRESSALENTE ELÉCTRODO
16	* 74493	PORTA-SONDAS	19	* 70330	SOBRESSALENTE ELÉCTRODO
17	* 60632	SOLUÇÃO TAMPÃO PH 4,0 50 ML. (VERMEI	20	57655	VASO PORTA-ELECTRODOS
18	* 60618	SOLUÇÃO TAMPÃO PH 7,0 50 M/L. (VERDE	21	* 70054	BOMBA PERISTÁLTICA 1,5-1,5 230V

CODIGO 70277, 70278, 70287, 70288, 70289, 70299, 70302, 70308, 70309, 70311

DESCRIÇÃO: GO SALT

OBSERVAÇÕES

POS	CODIGO	OBSERVAÇÕES
1	*CE08040260	PARA: 70309
1	*CE08040307	PARA: 70311
1	*CE08040261	PARA: 70277
1	*CE08040308	PARA: 70278
1	*CE08040262	PARA: 70287
1	*CE08040311	PARA: 70288
1	*CE08040263	PARA: 70289
1	*CE08040312	PARA: 70299
1	*CE08040264	PARA: 70302
1	*CE08040322	PARA: 70308
3	*CE08040604	PARA: 70278, 70288, 70299, 70308, 70311 70968
3	*CE08040444	PARA: 70278, 70288, 70299, 70308, 70311 74493
4	*CE08040067	PARA: 70311, 70278, 70288, 70299, 70308 70968
4	*CE08060121	PARA: 70278, 70288, 70299, 70308, 70311 74493
5	*CE08040068	PARA: 70311, 70278, 70288, 70299, 70308
7	*CE08041112	PARA: 70309, 70311
7	*CE08041113	PARA: 70277, 70278
7	*CE08041114	PARA: 70289, 70299
7	*CE08041204	PARA: 70302, 70308
8	*CE08070069	PARA: 70311, 70278, 70288, 70299, 70308
9	*CE08040265	PARA: 70309, 70311
9	*CE08040266	PARA: 70277, 70278
9	*CE08040267	PARA: 70287, 70299
9	*CE08040269	PARA: 70302, 70308
10	*CE08040073	PARA: 70309, 70277, 70311, 70278
13	*CE08040076	PARA: 70309, 70277, 70311, 70278
13	*CE08040272	PARA: 70287, 70289, 70302, 70288, 70299, 70308
15	*60648	PARA: 70311, 70278, 70288, 70299, 70308
16	*70968	PARA: 70311, 70278, 70288, 70299, 70308
16	*74493	PARA: 70278, 70288, 70299, 70308, 70311
17	*60632	PARA: 70311, 70278, 70288, 70299, 70308
18	*60618	PARA: 70311, 70278, 70288, 70299, 70308
19	*70326	PARA: 70309, 70311
19	*70327	PARA: 70277, 70278
19	*70328	PARA: 70287, 70288
19	*70329	PARA: 70289, 70299
19	*70330	PARA: 70302, 70308
21	*70054	PARA: 70288, 70299, 70308, 70311